

FLEXDESK

Featured Product:
Z-SERIES

Electric Adjustable Solutions for your work station



FLEXDESK

Thank you for purchasing a FLEXDESK Z-SERIES. The FLEXDESK product line is designed to enhance your work space. Please follow all assembly instructions correctly to provide optimal use.

Only a qualified contractor should install the FLEXDESK Z-SERIES. If you do not understand any of the assembly instructions, please contact your local re-seller or visit www.joromfg.com.

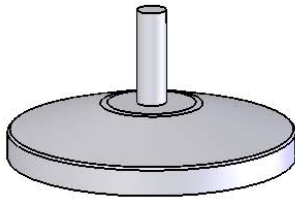
IMPROPER INSTALLATION CAN CAUSE DAMAGE TO YOUR EQUIPMENT AND MAY LEAD TO SERIOUS PHYSICAL INJURY. JORO Manufacturing cannot take any responsibility for damage or injury resulting from improper installation.

Do not operate Z-SERIES frame if there are any immediate obstructions below or above the work station. Doing so may cause unit malfunction or lead to serious physical injury.

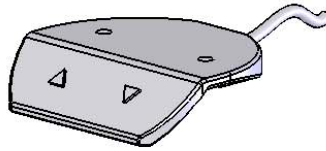
The supplied mounting hardware is for use on the FLEXDESK Z-SERIES only. If you encounter any problems or insufficient hardware during installation, please contact your local re-seller.

Z-SERIES

Z-Series Main Frame Kit



3in Swivel Glide
x4



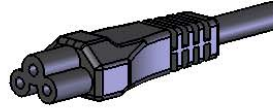
Up/Dwon Switch
x1



Smart Control Box
x1



Motor Cables - 1m
x2



Power Cable - 2m
x1

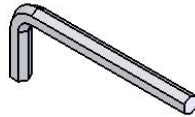
Z-Series Modesty Kit

(ONLY when applicable)

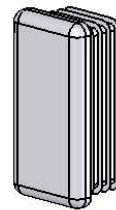


x8

M6 x 8mm Socket Cap Screw



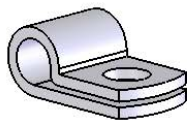
5mm Allen (Hex) Key
x1



TUBE1020 End Cap
x4

Z-Series Work Surface Kit

(ONLY when applicable)



x10

Nylon Cable Clip 1/4"



x12

#12 x 3/4" Pan Head Wood Screw



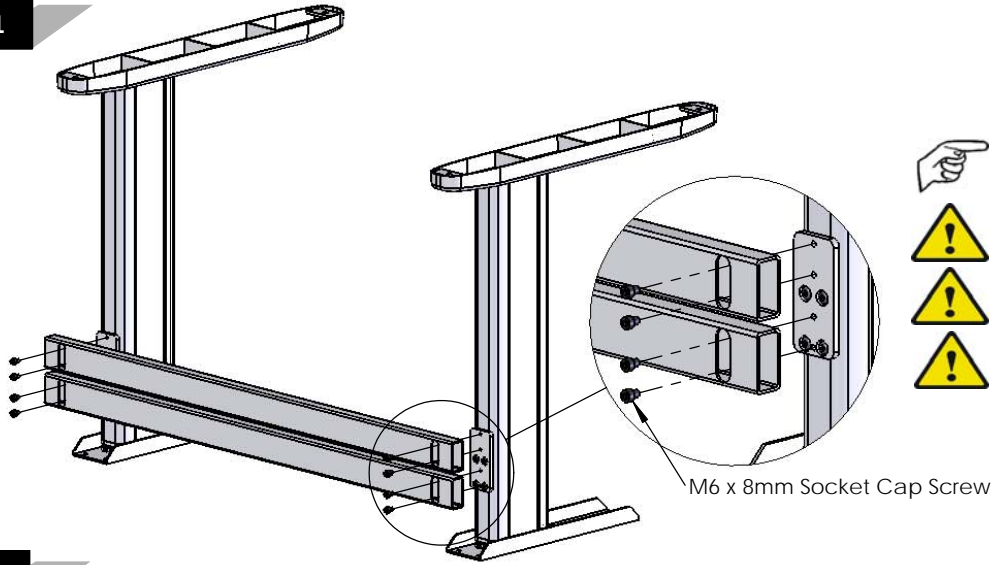
x14

#8 x 3/4" Pan Head Wood Screw

Note: Parts may not be exactly as shown and not to scale

Z-SERIES

1



Fasten modesty (when applicable)



Be sure to use M6 x 8mm Socket Cap Screw



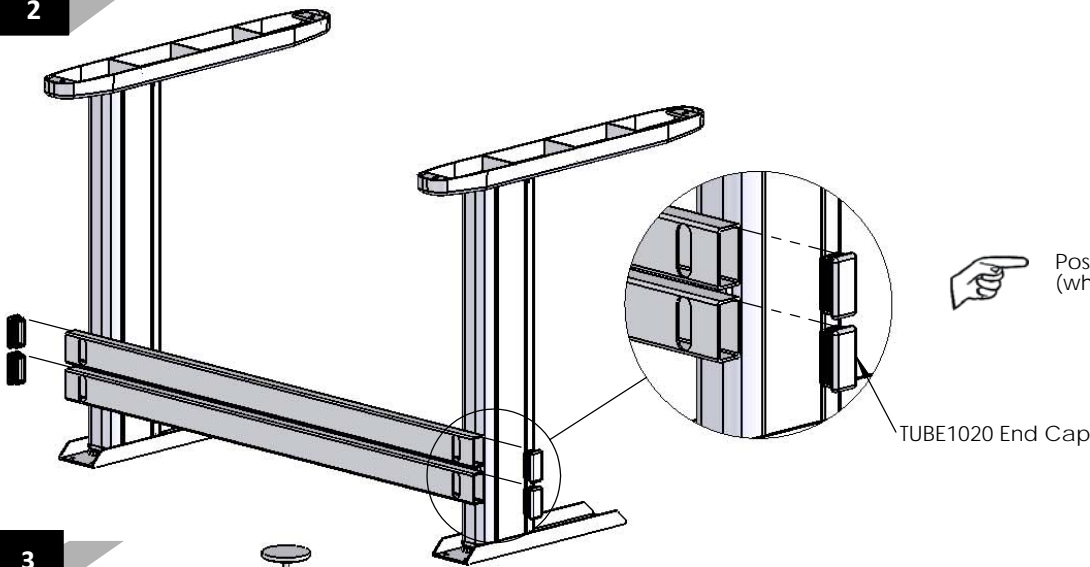
Start all M6 x 8mm Socket Cap Screw prior to tightening, then tighten all screws



Be sure to NOT over tighten

M6 x 8mm Socket Cap Screw

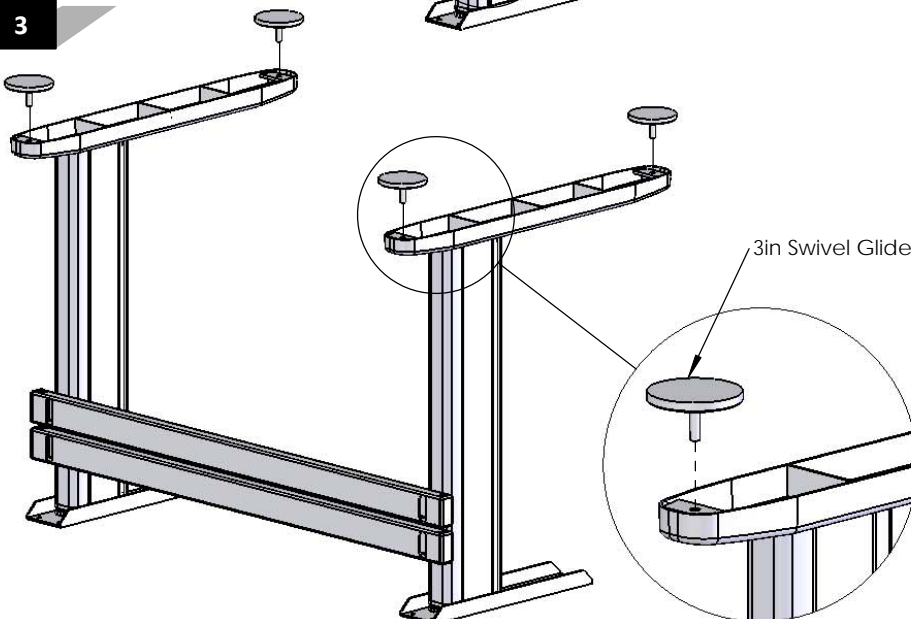
2



Position TUBE1020 End Cap (when Applicable) and push into place

TUBE1020 End Cap

3



3in Swivel Glide



Fasten the 3in Swivel Glides

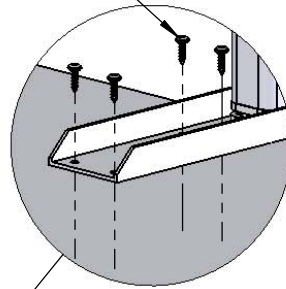
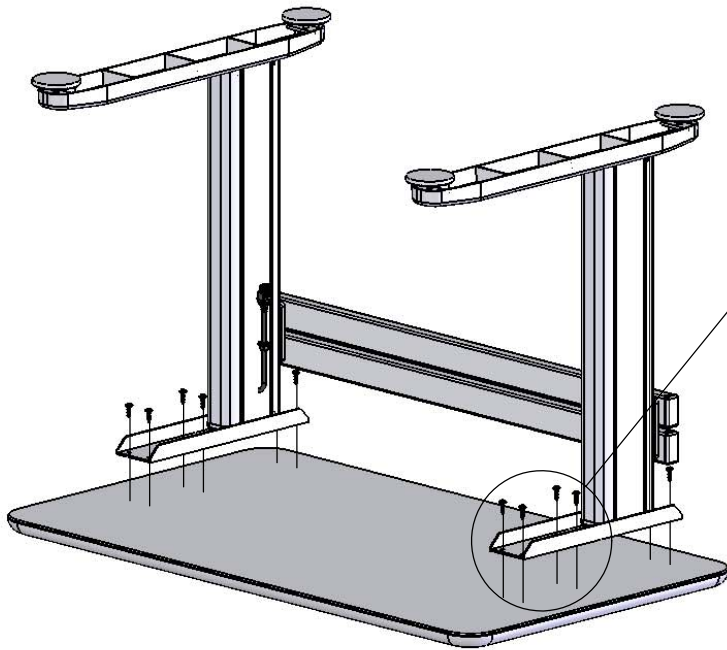


Be sure to NOT over tighten

Z-SERIES

4

#12 x 3/4" Pan Head Wood Screw



Fasten the work surface (when applicable)



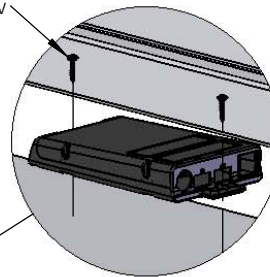
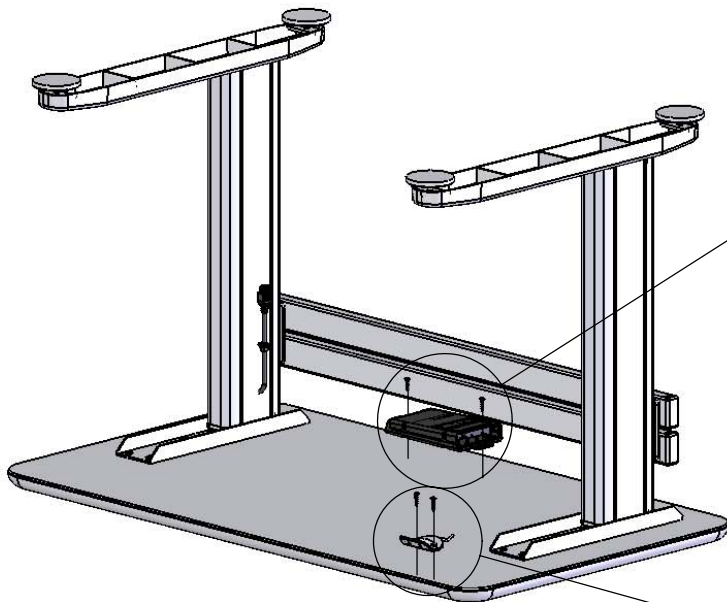
Be sure to use the #12 x 3/4" Pan Head Wood Screw provided (when applicable)



Be sure to NOT over tighten

5

#8 x 3/4" Pan Head Wood Screw



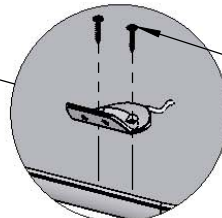
Fasten the control box and switch



Be sure to use the #8 x 3/4" Pan Head Wood Screw provided (when applicable)



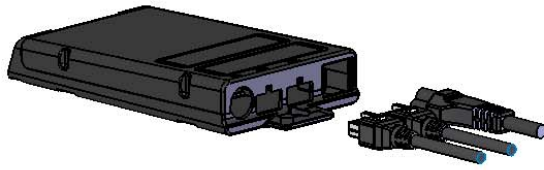
Be sure to NOT over tighten



#8 x 3/4" Pan Head Wood Screw

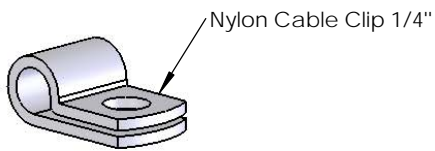
Z-SERIES

6



Plug in cables

7



#8 x 3/4" Pan Head Wood Screw



Wire management



Be sure to use the Nylon Cable Clips and #8 x 3/4" Pan Head Wood Screw provided (when applicable)



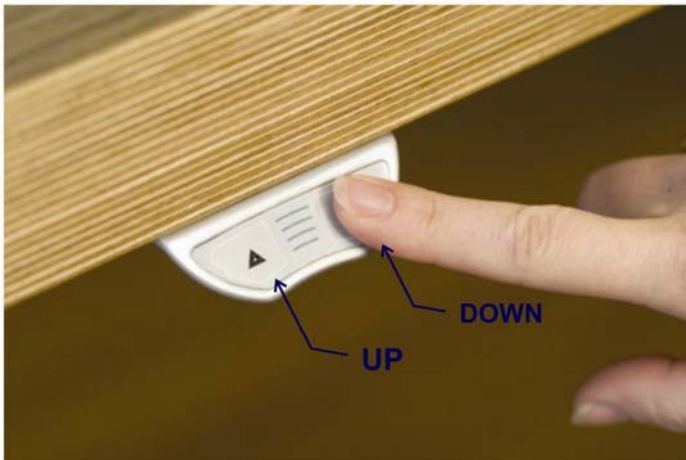
Be sure to NOT over tighten

HOW TO USE YOUR Workstation SWITCH HSM

- ◆ On startup, please ensure that:

Power cord & motor cables are all plugged in
Surfaces can move vertically without obstruction

- ◆ Drive Up/Down



- ◆ Mounting Guidelines:

The HSM can be mounted on the desktop so that the keys are facing upwards and outwards.

- ◆ Normal operation:

To run the workstation up or down, press the UP or DOWN button, and keep it pressed until the workstation reaches the desired height.

Workstation will slow down to a soft stop at the end of stroke.

- ◆ Reset (May have to preform reset more than once)

This function allows user to reset (initialize) the workstation

Make sure there are no obstructions in the path of travel of the workstation.

Make sure ALL legs are plugged into controller.

Make sure there is no obvious cable damage.

Press and hold down button until workstation reaches lowest height.

Release button and immediately press again and hold for approximately 15 seconds.

Workstation will move downwards and then bounce back upwards approximately 1/2".

The reset sequence is now complete.