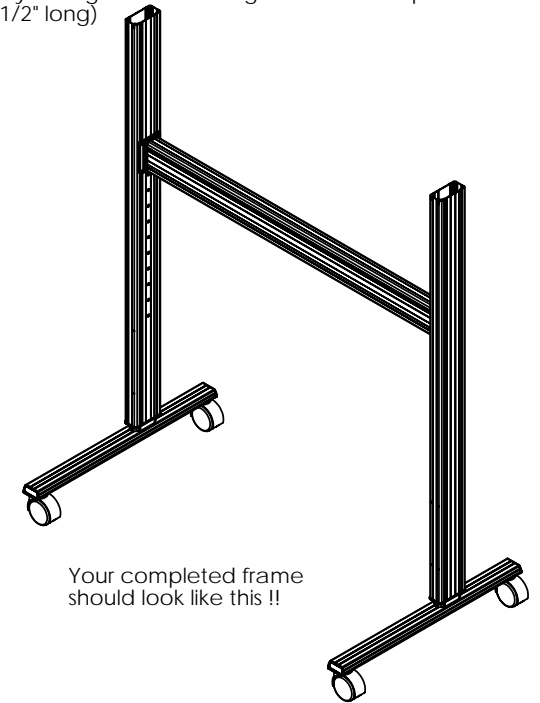


Assembly Sequence:

1. Install end caps on feet. You may need to tap them in gently.
2. Attach feet to left leg using 12-24 x 3/4" long screws. Please ensure that board mounting holes on the face of the leg point forward. Attach all screws then tighten. Repeat for right leg.
3. Place left leg on its side with holes facing up. Attach telescoping modesty rail to left leg using 4 bolts M6x14mm long. Attach all bolts then tighten. Repeat for right leg.
4. Stretch out frame to desired width. Centre the outer tube on the modesty rail and use M6 x 8mm bolts to secure width and provide lateral stability.
5. Your frame is now completely assembled.
6. You may attach your digital board using the hardware provided (4 bolts - 8-32 x 1/2" long)



TITLE:
 iLift
 18" Incremental Adjustment
 Slimline Series

PROPRIETARY AND CONFIDENTIAL
 THE INFORMATION CONTAINED IN THIS DRAWING IS THE SOLE PROPERTY OF JORO MANUFACTURING CO. LTD. ANY REPRODUCTION IN PART OR AS A WHOLE WITHOUT THE WRITTEN PERMISSION OF JORO MANUFACTURING CO. LTD. IS PROHIBITED.

SIZE	DWG. NO.	REV
A	JMC-Assy-20090217-iLift	1.002