

# Slimline

## POWERED SOLUTIONS - FLEX FRAMES



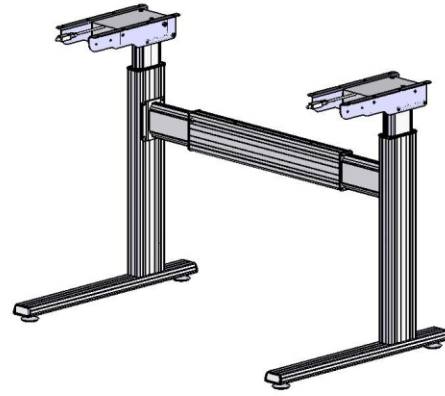
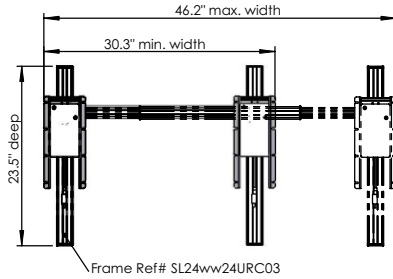
© 2007

catalogue #: JMC-FLEX-SL24ww24URC03

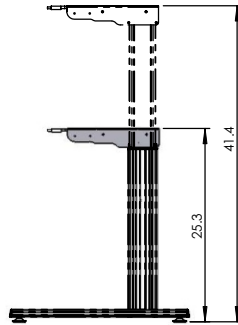


# JO RO

**2 LEG TELESCOPING WIDTH FRAME**  
suitable for work surface width from 36" to 54"



Available options:  
3 position memory switch  
Silver finish



**ELECTRIC HEIGHT ADJUSTABLE FURNITURE**

- Black Anodized all Aluminium base.
- Soft stop/start in both up and down directions.
- Meets / exceed ANSI BIFMA standards.
- Each leg is individually powered.
- Simple assembly.
- Scalable design provides affordable and customizable solutions from standard components.
- Advanced safety and operation features included as standard.
- Can be complimented with standard industry accessories.
- Dynamic lift capacity of 225 lbs.

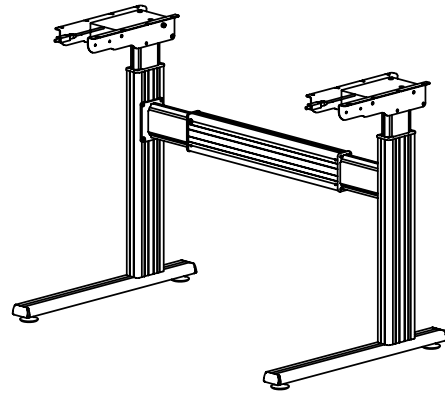
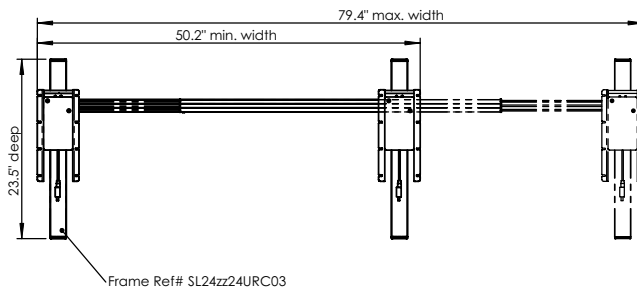
TITLE:  
Electric Height Adjustable Frame  
with Telescoping Modesty

**PROPRIETARY AND CONFIDENTIAL**  
THE INFORMATION CONTAINED IN THIS DRAWING IS THE SOLE PROPERTY OF JORO MANUFACTURING CO. LTD. ANY REPRODUCTION IN PART OR AS A WHOLE WITHOUT THE WRITTEN PERMISSION OF JORO MANUFACTURING CO. LTD. IS PROHIBITED.

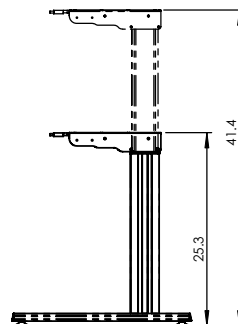
SIZE	DWG. NO.	REV
A	JMC-FLEX-01302008-SL24ww24URC03	1.001

5 4 3 2 1

**2 LEG TELESCOPING WIDTH FRAME**  
suitable for work surface width from 60" to 84"



Available options:  
3 position memory switch  
Silver finish



**ELECTRIC HEIGHT ADJUSTABLE FURNITURE**

- Black Anodized all Aluminium base.
- Soft stop/start in both up and down directions.
- Meets / exceed ANSI BIFMA standards.
- Each leg is individually powered.
- Simple assembly.
- Scalable design provides affordable and customizable solutions from standard components.
- Advanced safety and operation features included as standard.
- Can be complimented with standard industry accessories.
- Dynamic lift capacity of 225 lbs.

TITLE:  
Electric Height Adjustable Frame  
with Telescoping Modesty

**PROPRIETARY AND CONFIDENTIAL**  
THE INFORMATION CONTAINED IN THIS DRAWING IS THE SOLE PROPERTY OF JORO MANUFACTURING CO. LTD. ANY REPRODUCTION IN PART OR AS A WHOLE WITHOUT THE WRITTEN PERMISSION OF JORO MANUFACTURING CO. LTD. IS PROHIBITED.

SIZE	DWG. NO.	REV
A	JMC-FLEX-01302008-SL24ww24URC03	1.001

5 4 3 2 1